



SERVING THE FOOD INDUSTRY SINCE 1951

Refrigerated Sushi Showcases with Curve Glass

Item:	43116	43225	43224	43223
Model:	RS-CN-0103-SC	RS-CN-0083-SC	RS-CN-0063-SC	RS-CN-0043-SC



Omcan's refrigerated sushi cases are perfect for merchandising a variety of sushi, keeping them fresh and delicious. Ideal for sushi bars and restaurants

FEATURES:

- Brilliant Internal LED illumination on top
- Additional non-refrigerated upper shelf for extra storage
- Digital temperature controller and display
- Front flat glass
- Sliding doors
- Direct cooling system
- GN pan can be ordered

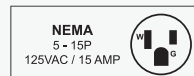


Telephone: 1-800-465-0234

Fax: (905) 607-0234

Email: sales@omcan.com

Website: www.omcan.com

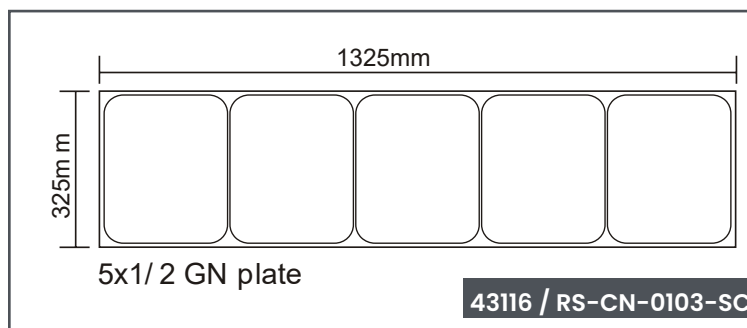
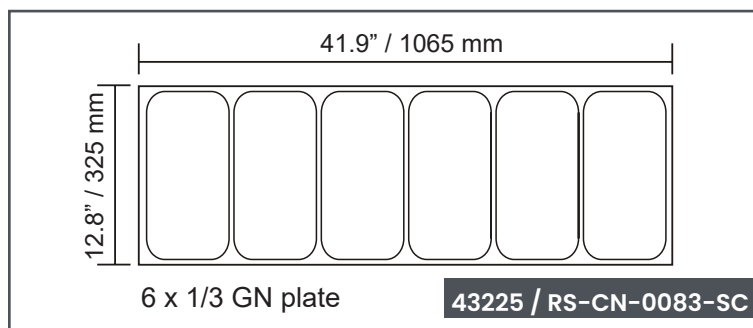
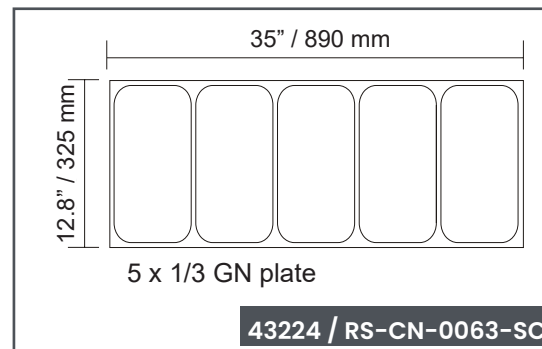
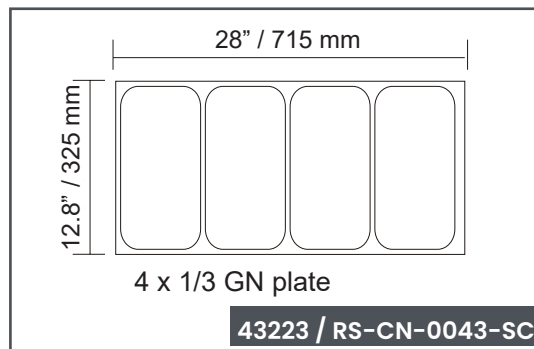
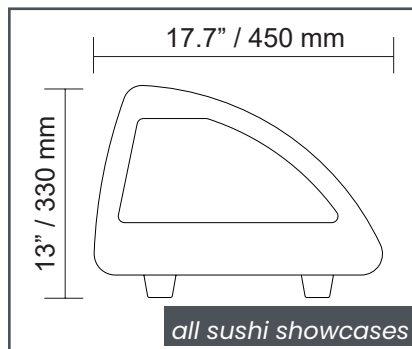


Authorized Dealer

(Version 2023.10)

Page 1 / 2

TECHNICAL DRAWING



TECHNICAL SPECIFICATION

	69" wide with 2.75cu.ft. / 78L capacity	45" wide with 1.48cu.ft. / 42L capacity	52" wide with 1.84cu.ft. / 52L capacity	58" wide with 2.19cu.ft. / 62L capacity
Item	43116	43223	43224	43225
Model	RS-CN-0103-SC	RS-CN-0043-SC	RS-CN-0063-SC	RS-CN-0083-SC
Capacity	2.75cu.ft. / 78L	1.48cu.ft. / 42 L	1.84cu.ft. / 52 L	2.19cu.ft. / 62L
Number of Doors	2 Sliding Doors	2 Sliding Doors	2 Sliding Doors	2 Sliding Doors
Number of Pans	5 x 1/2 GN Pan	4 x 1/3 GN Pan	5 x 1/3 GN Pan	6 x 1/3 GN Pan
Power	180 W	180 W	180 W	180 W
Amps	1.4 A	1.4 A	1.4 A	1.4 A
Electrical	110V / 60Hz / 1Ph	110V / 60Hz / 1Ph	110V / 60Hz / 1Ph	110V / 60Hz / 1Ph
Temperature Range	12 to 0°C / 54 to 32°F	12 to 0°C / 54 to 32°F	12 to 0°C / 54 to 32°F	12 to 0°C / 54 to 32°F
Refrigerant	R290	R290	R290	R290
Injection	30g	30g	30g	30g
Insulation Material	Premixed Polyols	Premixed Polyols	Premixed Polyols	Premixed Polyols
Interior Dimensions (WDH)	53.8" x 15" x 9" / 1367 x 381 x 229 mm	29.3" x 15" x 9" / 744 x 381 x 229 mm	36.2" x 15" x 9" / 919 x 381 x 229 mm	43.2" x 15" x 9" / 1097 x 381 x 229 mm
Net Weight	97 lb. / 44kg.	73 lb. / 33 kg.	79 lb. / 36kg.	86 lb. / 39kg.
Net Dimensions (WDH)	69" x 17.7" x 13" / 1753 x 450 x 330 mm	44.5" x 17.7" x 13" / 1130 x 450 x 330 mm	51.5" x 17.7" x 13" / 1308 x 450 x 330 mm	58.4" x 17.7" x 13" / 1483 x 450 x 330 mm
Gross Weight	106 lb. / 48kg.	80 lb. / 36kg.	89 lb. / 40kg.	95 lb. / 43kg.
Gross Dimensions (WDH)	72" x 20" x 15" / 1829 x 508 x 381 mm	47" x 20" x 15" / 1194 x 508 x 381 mm	54" x 21" x 15" / 1372 x 508 x 381 mm	61" x 21" x 15" / 1549 x 508 x 381 mm